

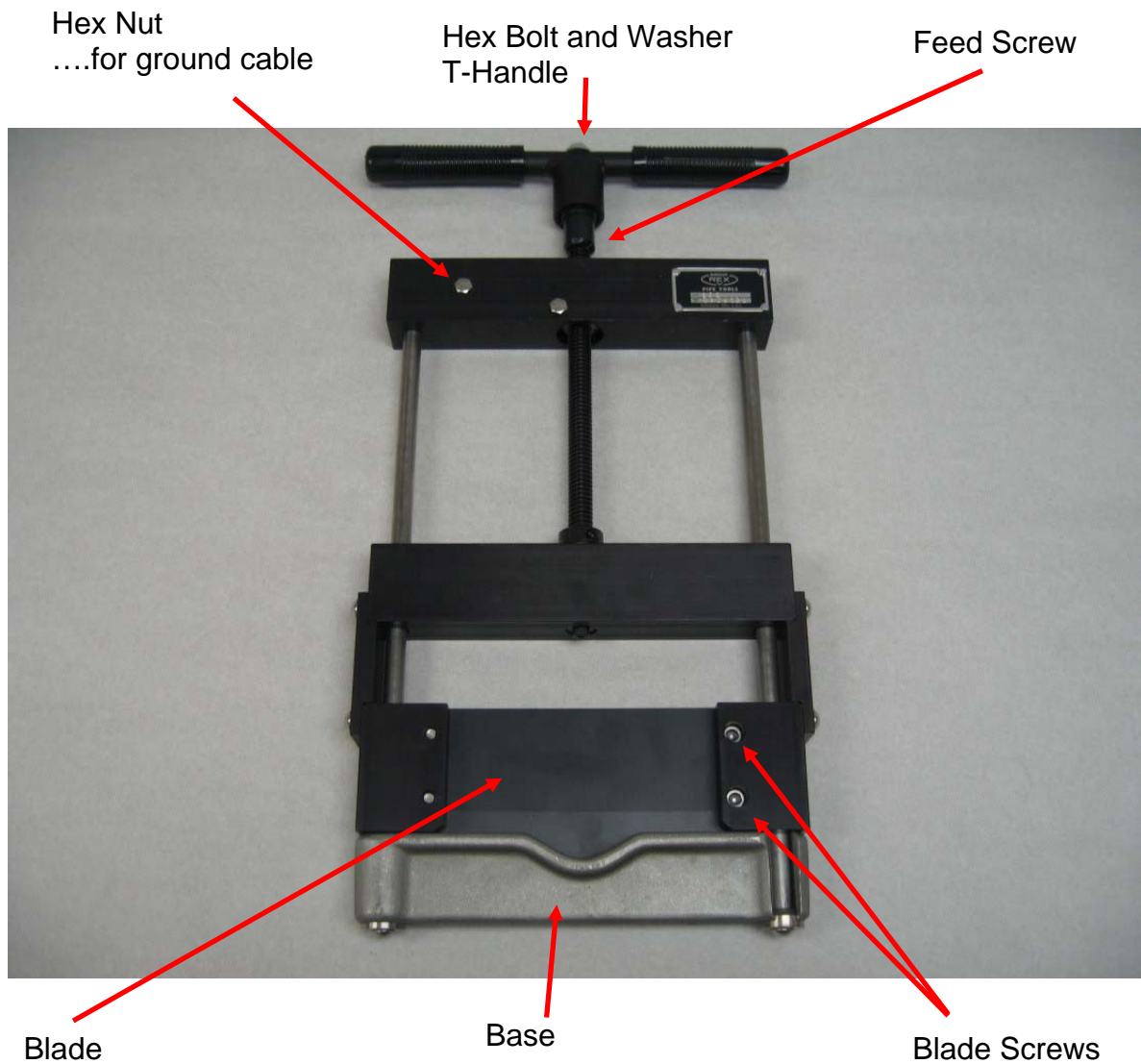
# 892 Guillotine Pipe Cutter

For cutting 4" OD SDR 11 pipes  
Maximum 4.92OD / 125mm



Wheeler Rex ■ 3744 Jefferson Road ■ Ashtabula, OH 44004  
Tel: 800-321-7950 / 440-998-2788  
wheeler@wheelerrex.com  
www.wheelerrex.com

# 892 Guillotine Pipe Cutter



# 892 Guillotine Pipe Cutter



Raise blade while wearing gloves.  
Remove rubber guard before cutting pipe

# 892 Guillotine Pipe Cutter

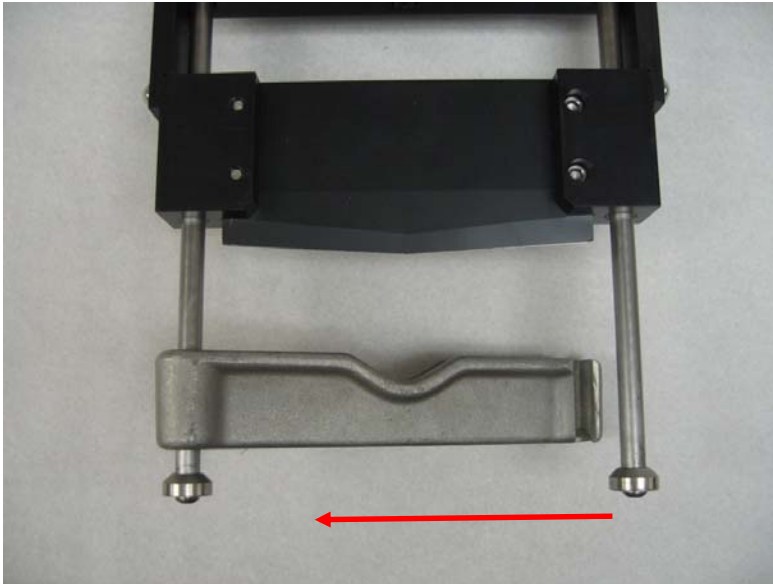


Raise Blade up all the way

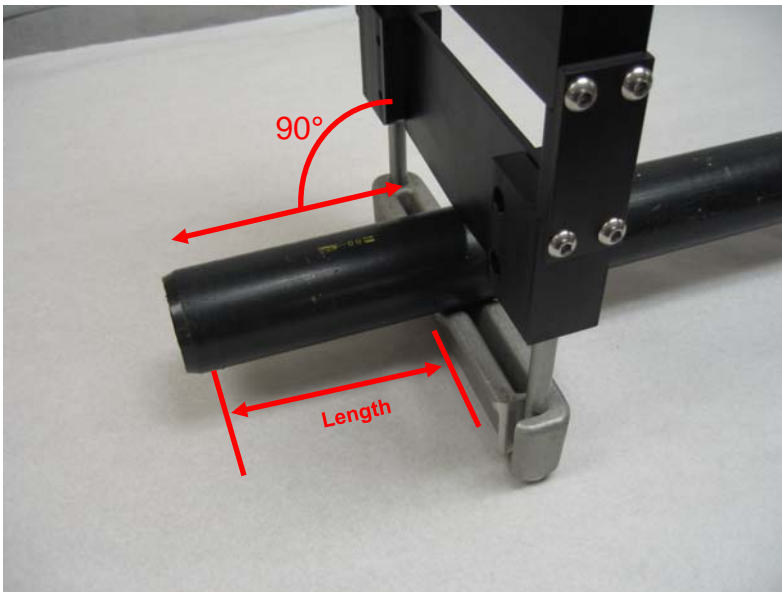


Lift Base upward

# 892 Guillotine Pipe Cutter



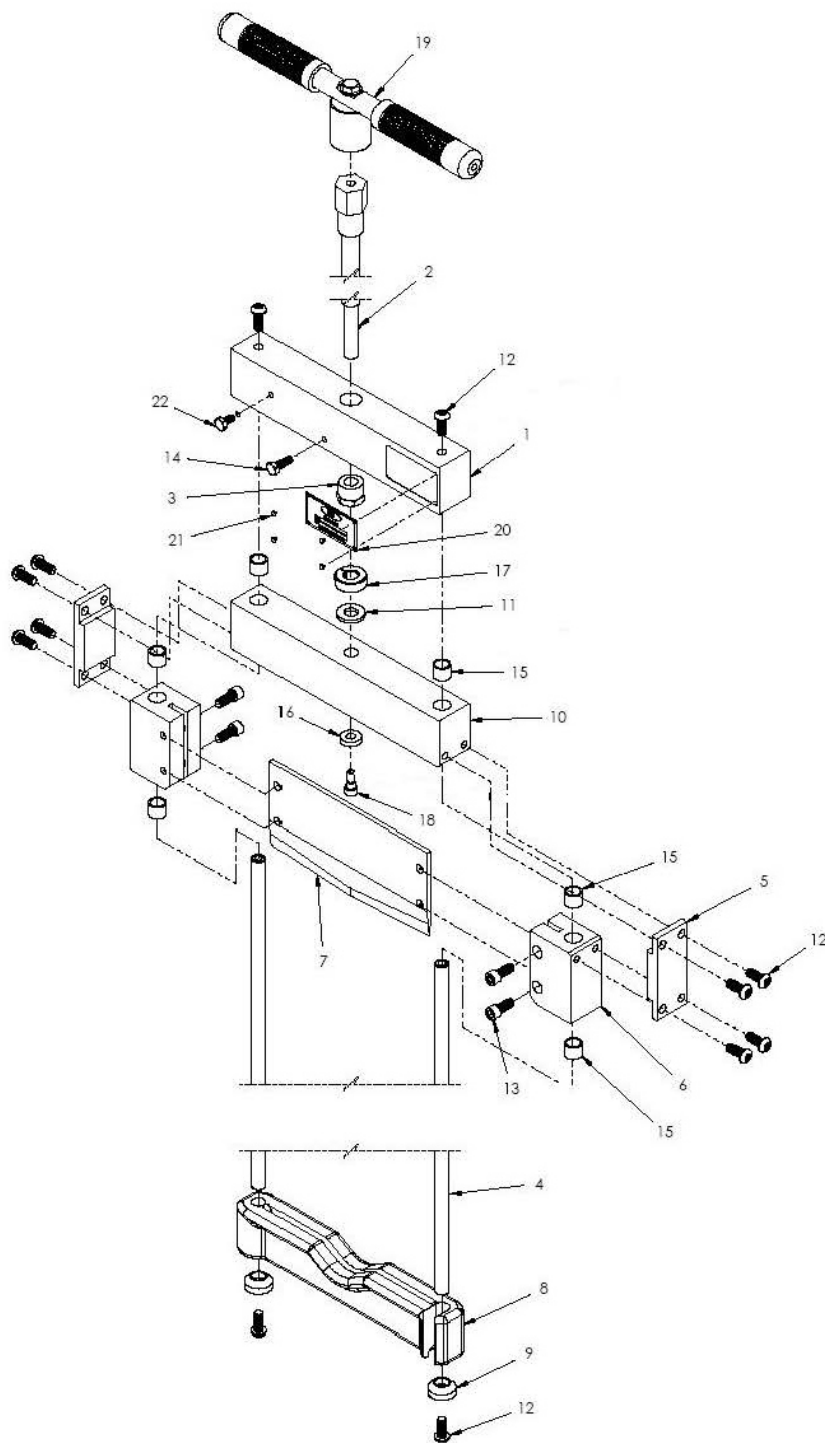
Swing Base out of way



Minimum suggested cut length  
is pipe diameter

Length = pipe diameter

# 892 Guillotine Pipe Cutter



# 892 Guillotine Pipe Cutter

ITEM NO.	PART NUMBER	DESCRIPTION	QTY
1	700687	HEAD	1
2	701163	FEED SCREW ASSEMBLY	1
3	700696	HEAD NUT	1
4	700688	ROD	2
5	700691	SIDE SUPPORT	2
6	700695	BLADE SUPPORT	2
7	701149	POINTED BLADE	1
8	700694	BASE (MACHINED)	1
9	700693	GUIDE	2
10	700689	BEARING BAR	1
11	276676	THRUST WASHER (EVT081602)	1
12	276527	5/16-18 x 3/4" SS BUTTON HEAD CAP SCREW	12
13	276532	5/16-18 x 3/4" SS SOCKET HEAD CAP SCREW	4
14	276683	1/4-20 x 3/4 SS HEX HEAD CAP SCREW	1
15	276674	SLEEVE BEARING (EP081008)	6
16	277032	HEAVY WASHER FOR 5/16" BOLT	1
17	276677	SHAFT COLLAR	1
18	277033	SOCKET HEAD SHOULDER SCREW 3/8" X 1 1/2'	1
19	701164	T-HANDLE, SMALL	1
20	700595	NAME PLATE	1
21	276203	METAL TAK	4
22	276536	1/4"-20 x 1/2 SS HEX HEAD CAP SCREW	1

# 892 Guillotine Pipe Cutter

## WARNING

### GENERAL TOOL OPERATION WARNINGS

#### FOR ALL TOOLS-

1. **Keep Guards in Place** and in working order.
2. **Remove Adjusting Keys and Wrenches** from tool before turning it on.
3. **Keep Work Area Clean.** Cluttered areas and benches invite accidents.
4. **Avoid Dangerous Environment.** Don't use power tools in damp or wet locations. Keep work area well lit. Don't expose power tools to rain.
5. **If you must use an electric tool** in a damp or wet location; make sure it is plugged into a circuit which is protected by a ground fault interrupt.
6. **Keep Children Away. ALL VISITORS SHOULD BE KEPT A SAFE DISTANCE FROM WORK AREA.**
7. **Store Idle Tools** in dry, high, or locked-up place out of reach of children.
8. **Don't Force Tool.** It will do a better and safer job at the rate for which it is designed.
9. **Use Right Tool.** Don't force a small tool or attachment to do the job of a heavy-duty tool.
10. **Wear Proper Apparel.** No loose clothing or jewelry to get caught in moving parts. Rubber gloves and footwear are recommended when working outdoors.
11. **Use Safety Glasses.**
12. **Don't Abuse Cord.** Never carry tool by cord or yank it to disconnect from receptacle. Keep cord from heat, oil, and sharp edges.
13. **Secure Work.** Use clamps or vise to hold work when practical. It's safer than using your hand and it frees both hands to operate tool.
14. **Don't Overreach.** Keep proper footing and balance at all times.
15. **Maintain Tools Properly.** Keep tools sharp and clean for best and safest performance. Follow instructions for lubricating and changing accessories. Equipment operators must have proper maintenance & instruction sheets. Be sure the tool operator reads and understands this information. If you don't have current maintenance and instruction sheets, contact the factory & we will supply them at no charge.
16. **Disconnect Tools** when not in use; before servicing; when changing accessories such as dies, cutters, etc.
17. **Avoid Accidental Starting.** Don't carry plugged-in tool with finger on switch. Be sure switch is off when plugging in.
18. **Outdoor Use Extension Cords.** When tool is used outdoors, use only extension cords suitable for use outdoors and so marked.
19. **Wear Ear Protection** if exposed to long periods of very noisy shop operations.
20. **Do not operate** tools while under the influence of alcohol, drugs or medication.



## WHEELER-REX LIMITED LIFETIME WARRANTY

WHEELER-REX covers its products with a Limited Lifetime Warranty, with exception of pipe threading machines which have a Limited Three Year Warranty (including electric motors). Warranties from manufacturers of components used in our products may pre-empt the Wheeler-Rex warranty. Wheeler-Rex warrants against defects in material or workmanship. To take advantage of this warranty, the complete product must be delivered prepaid to Wheeler-Rex or any WHEELER-REX AUTHORIZED SERVICE CENTER. No tools are to be returned to the factory without receiving prior authorization. Obviously, failures due to misuse, abuse, or normal wear and tear are not covered by this warranty. **NO OTHER WARRANTIES, WRITTEN, OR ORAL, APPLIES. THERE ARE NO WARRANTIES WHICH EXTEND BEYOND THE DESCRIPTION ON THE FACE HEREOF.** No employee, agent, dealer, or other person is authorized to give any warranty on behalf of Wheeler-Rex. Warranted products will be repaired or replaced at our option, at no charge and returned to you via prepaid transportation. Such replacement or repair is the exclusive remedy available from Wheeler-Rex. Wheeler-Rex is not liable for damage of any sort, including incidental and consequential damages. Some U.S.A. states do not allow the exclusion or limitation of incidental or consequential damages, so the above limitation or exclusion may not apply. This warranty gives you specific legal rights, and you may also have other rights which vary from state to state.